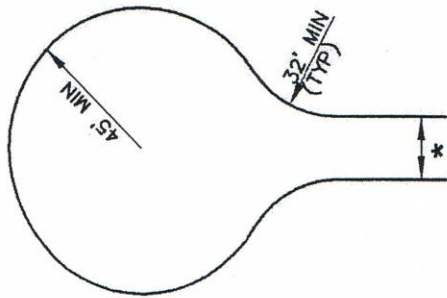
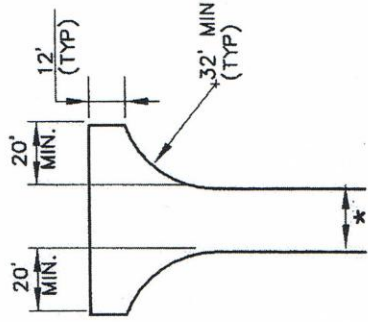


TFPD FIRE PREVENTION TURN AROUND STANDARDS

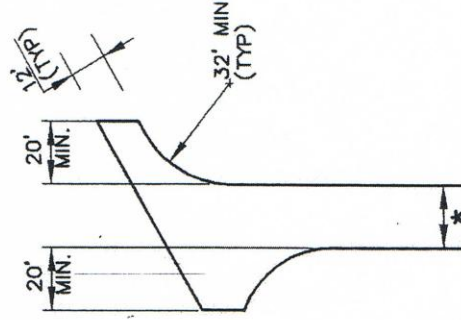
1" = 50'



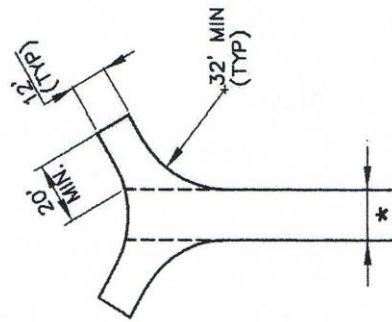
CUL-DE-SAC TURN AROUND



90° HAMMER HEAD TURN AROUND



ANGLED HAMMER HEAD TURN AROUND



Y-TYPE TURN AROUND

* All roads are 20' min and driveways 16' min in width

FIGURE D103.1